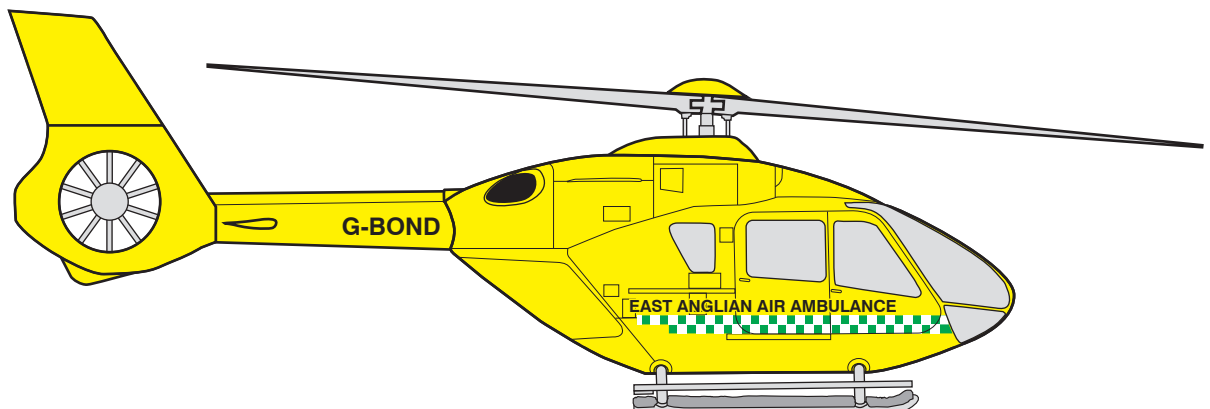


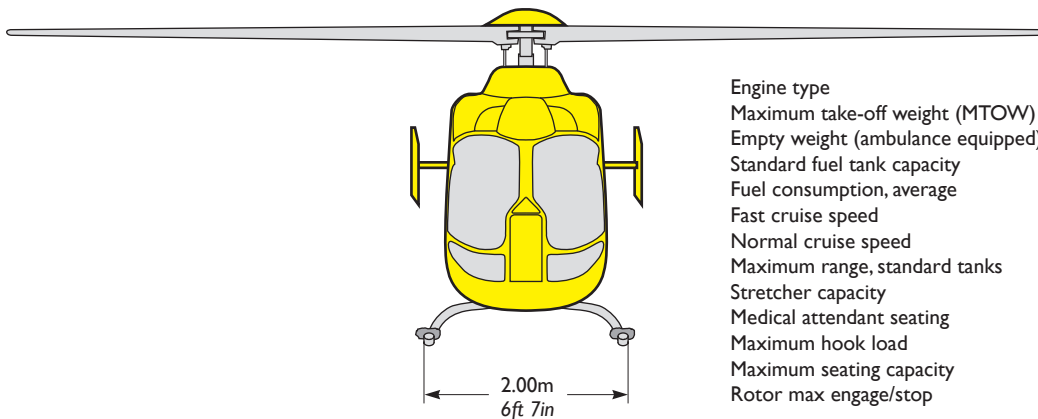
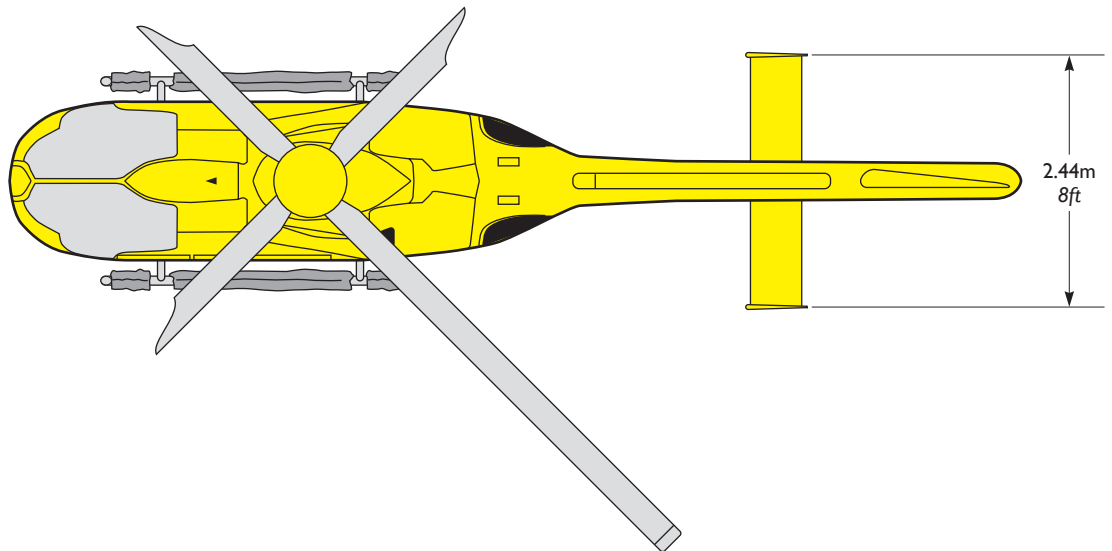
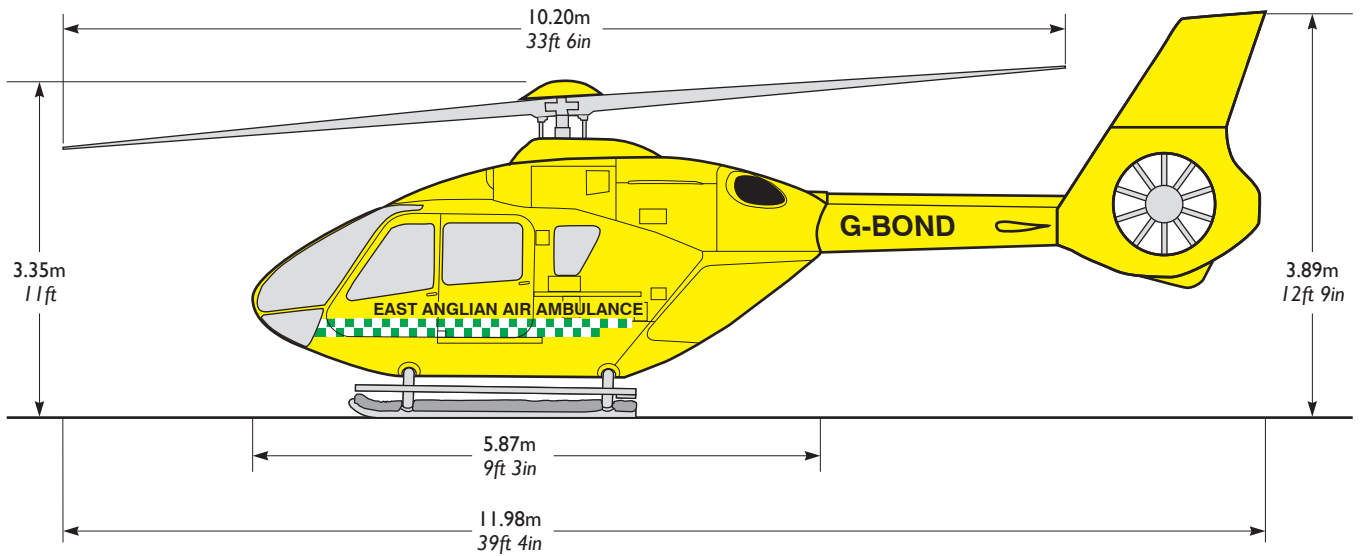
Eurocopter EC135T2

Information Sheets (example)



Eurocopter EC135T2

Technical Specification (example)



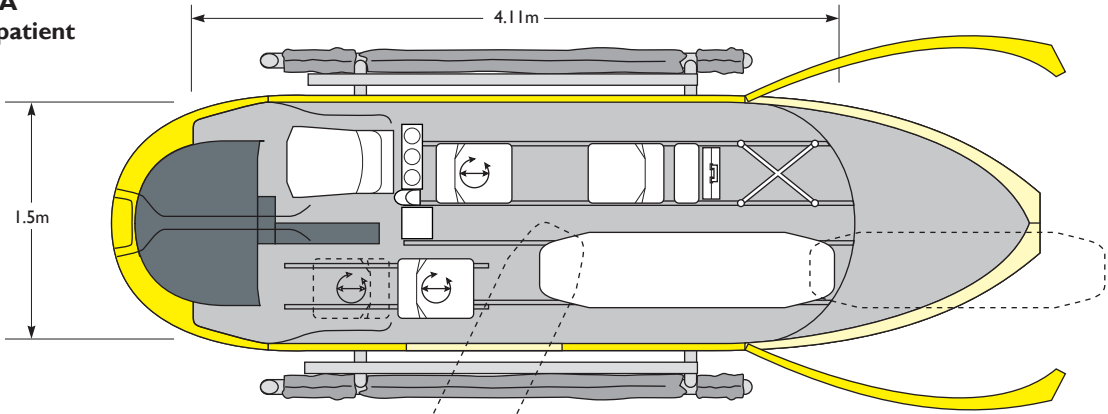
Engine type	2 x Turbomeca Arrius 2B2
Maximum take-off weight (MTOW)	2835kg
Empty weight (ambulance equipped)	2050kg
Standard fuel tank capacity	558kg
Fuel consumption, average	195kg/hr
Fast cruise speed	150kt
Normal cruise speed	135kt
Maximum range, standard tanks	320nm
Stretcher capacity	1/2
Medical attendant seating	3/4
Maximum hook load	1300kg
Maximum seating capacity	6/7
Rotor max engage/stop	50kt (any direction)

Above performance based on 1000ft ASL, ISA, still air conditions including VFR reserves.

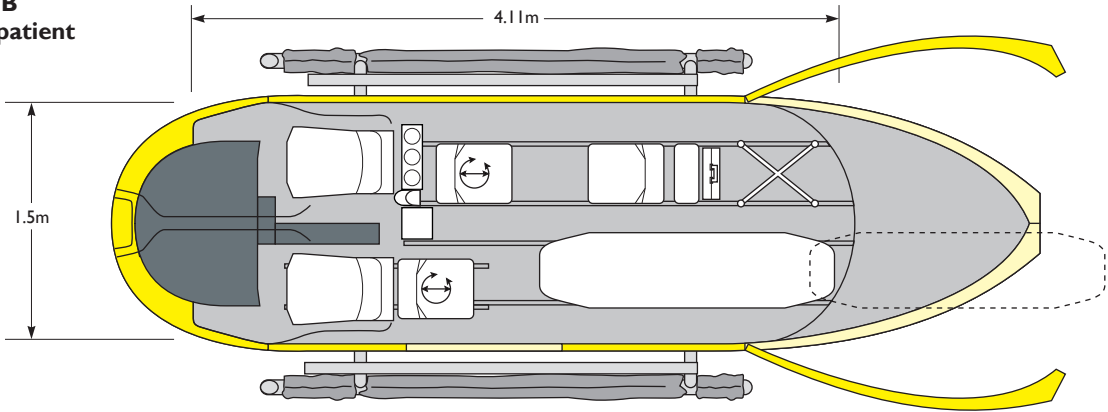
Eurocopter EC135T2

Seating/Stretcher/Incubator Layouts (example)

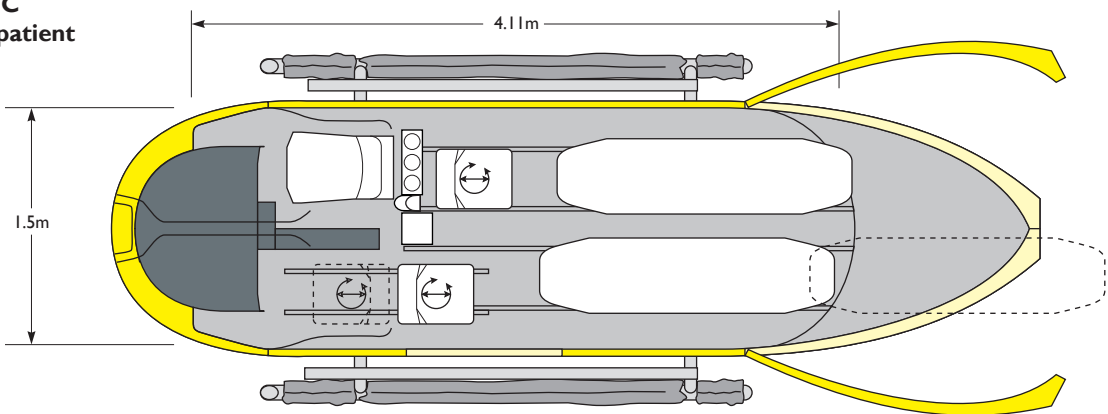
Configuration A
3 attendant 1 patient



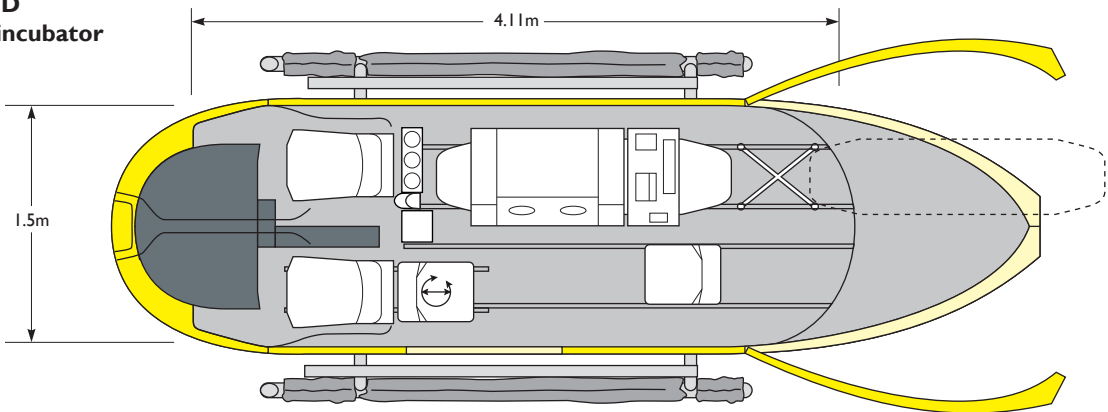
Configuration B
4 attendant 1 patient



Configuration C
2 attendant 2 patient

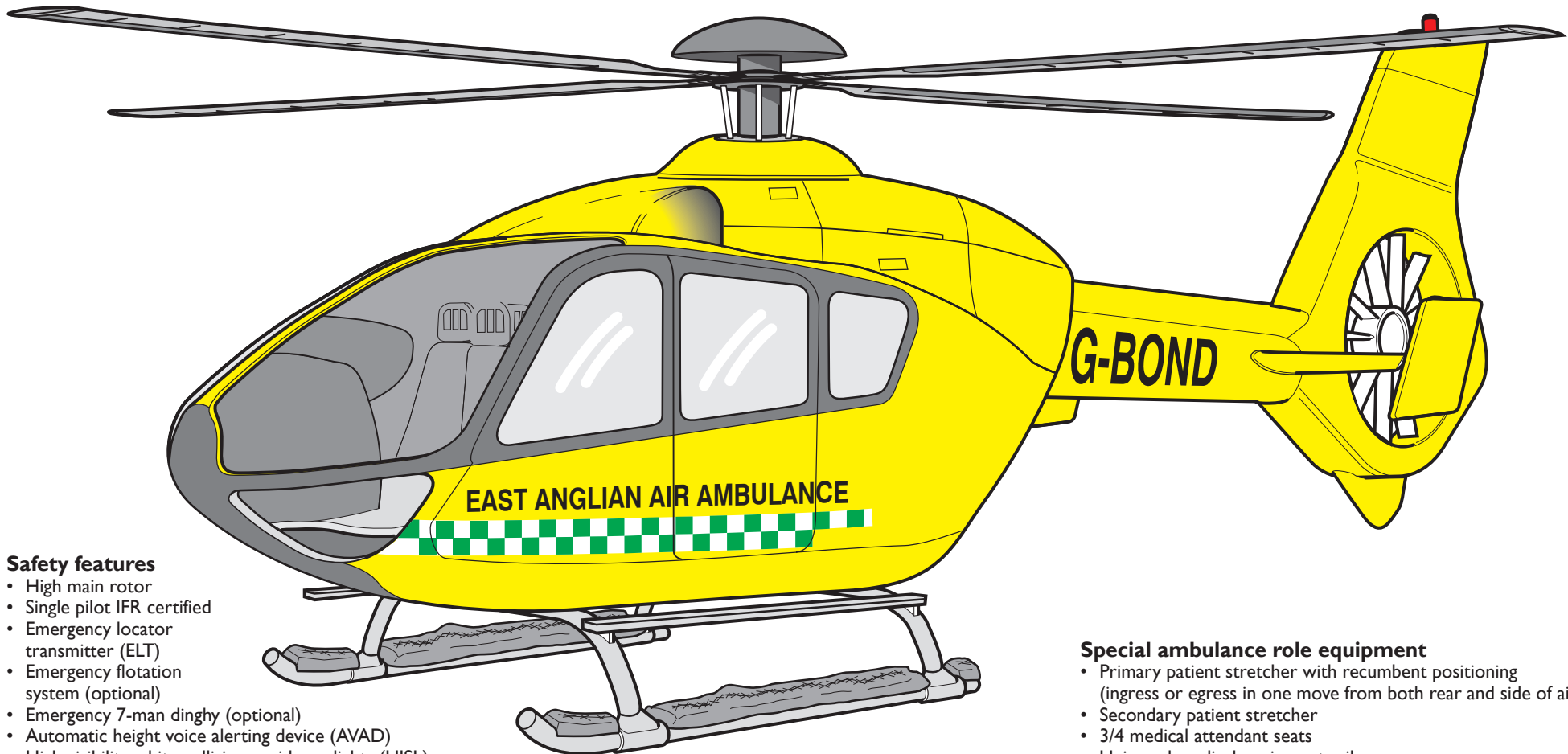


Configuration D
3 attendant 1 incubator



Eurocopter EC135T2

Specification (example)



Safety features

- High main rotor
- Single pilot IFR certified
- Emergency locator transmitter (ELT)
- Emergency flotation system (optional)
- Emergency 7-man dinghy (optional)
- Automatic height voice alerting device (AVAD)
- High visibility white collision avoidance lights (HISL)
- Enclosed tail rotor (Fenestron)
- Crashworthy fuselage design
- Sonic locator beacon
- 2 search and rescue beacons (SARBEs) Ducane
- Usage monitoring system (UMS) (optional)
- Traffic collision avoidance system (TCAS) (optional)
- Enhanced ground proximity warning system (EGPWS) (optional)
- Wire strike protection (WSPS) (optional)
- Live wire detection system (LWDS) (optional)

General features

- 4 cabin doors (2 side sliding doors)
- 2 rear clamshell doors
- 1300kg cargo hook (optional)
- Two landing lights (one movable)

Special ambulance role equipment

- Primary patient stretcher with recumbent positioning (ingress or egress in one move from both rear and side of aircraft)
- Secondary patient stretcher
- 3/4 medical attendant seats
- Universal medical equipment rail
- Multi-purpose integral floor (with fluid drain to exterior collector receptacle)
- Enhanced cabin illumination
- Rear heating system in patient area
- Emergency services communication system
- Dedicated ambulance crew/patient intercom system
- Incubator certified
- Medical gases delivery system
- Power outlet panels for medical equipment supply